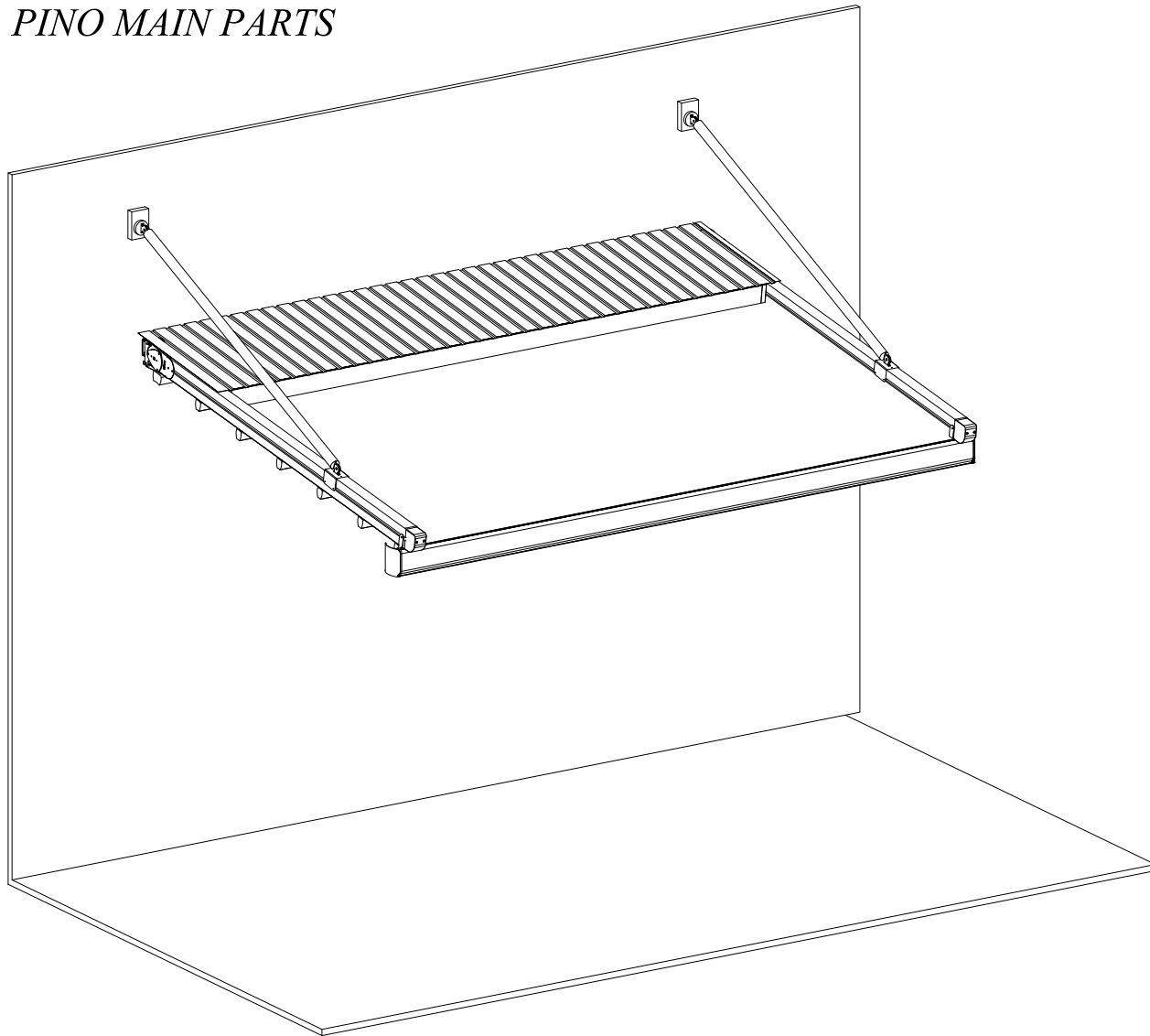
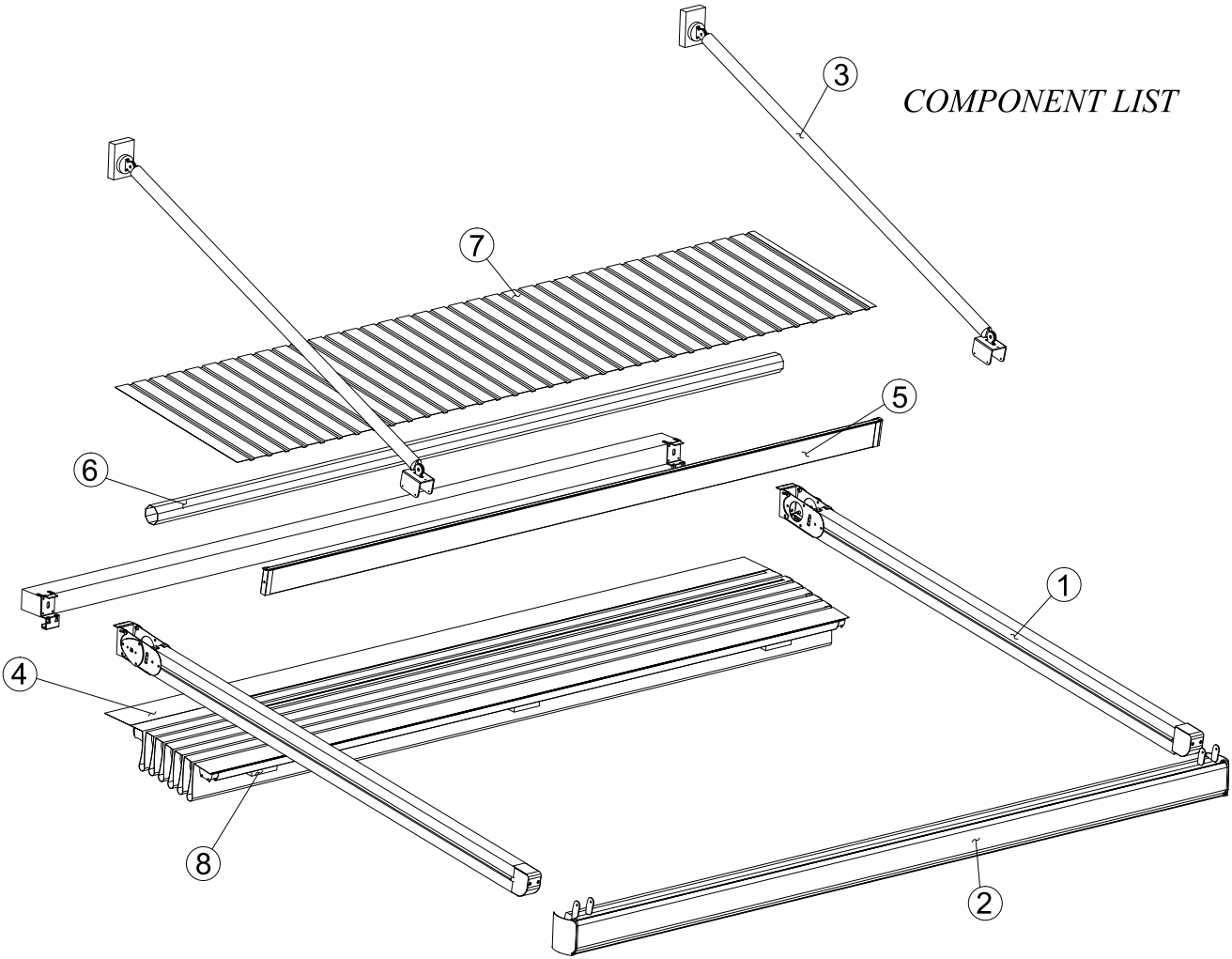


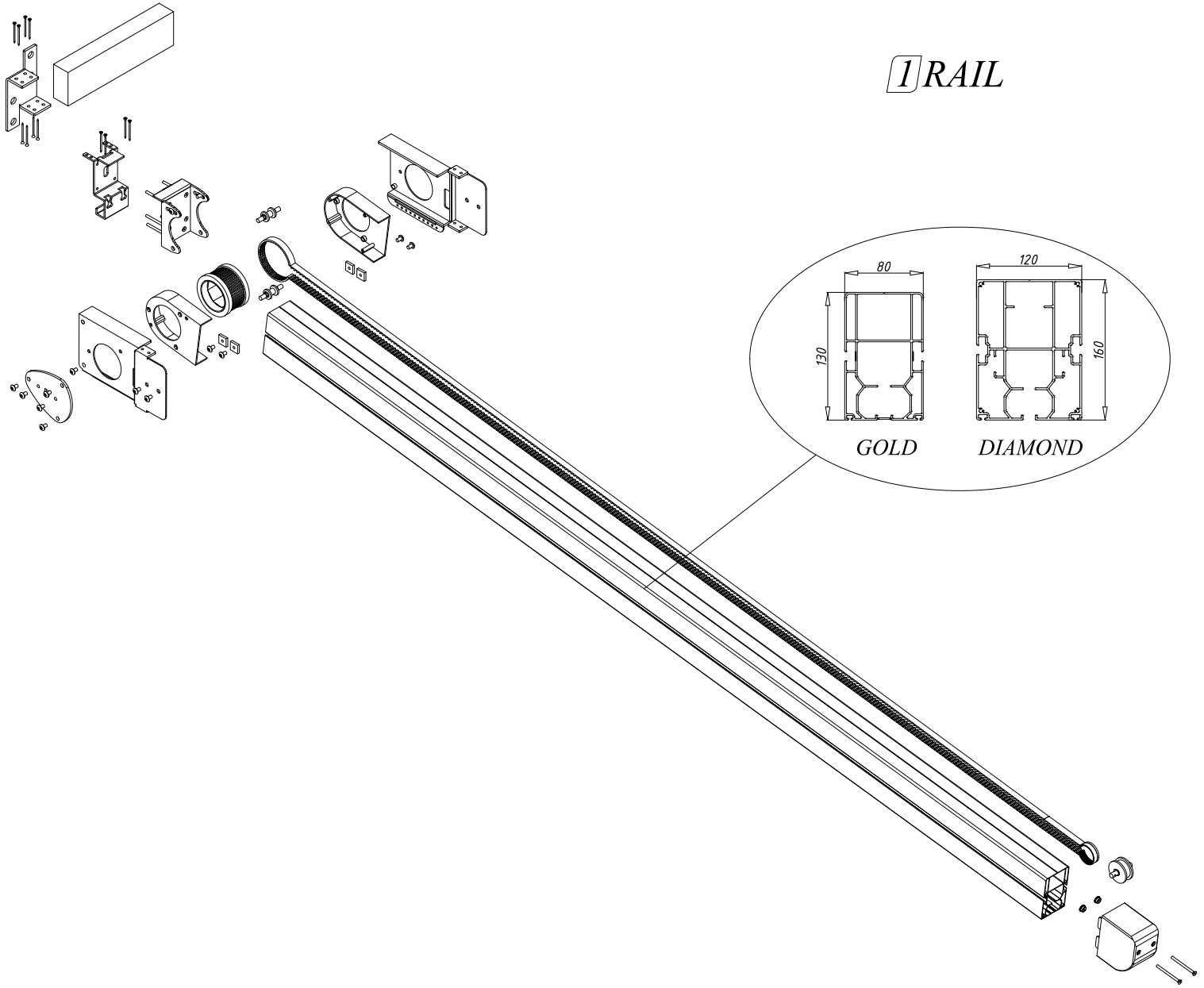
PINO MAIN PARTS



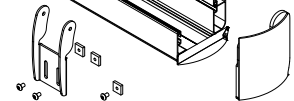
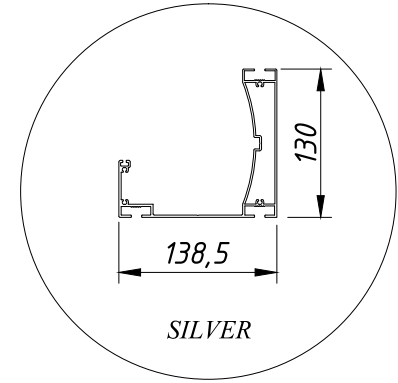
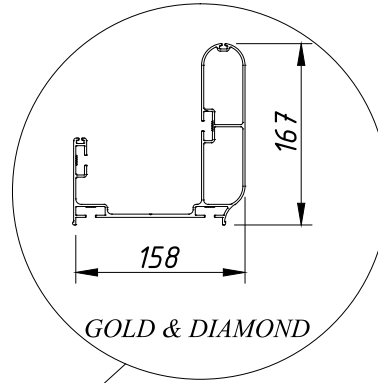
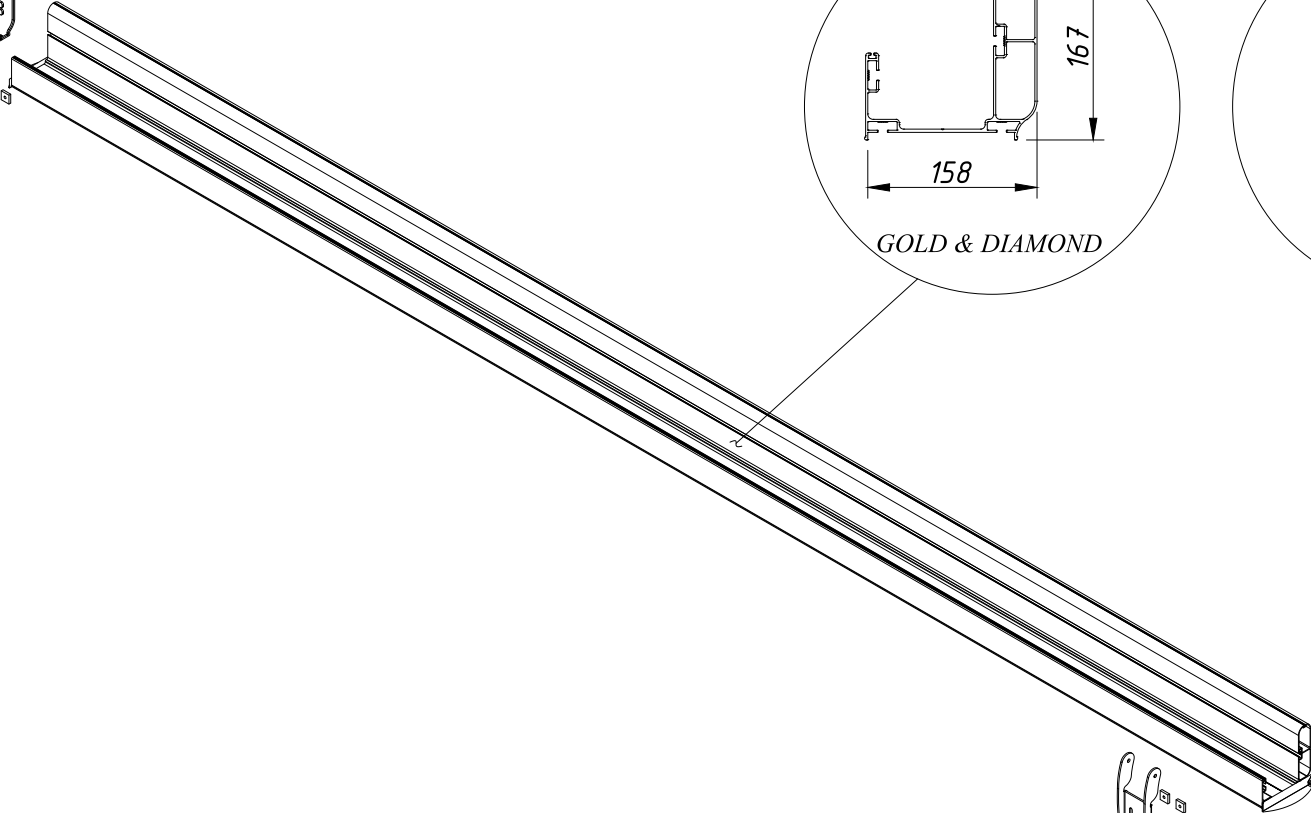
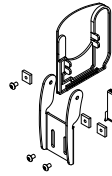
COMPONENT LIST

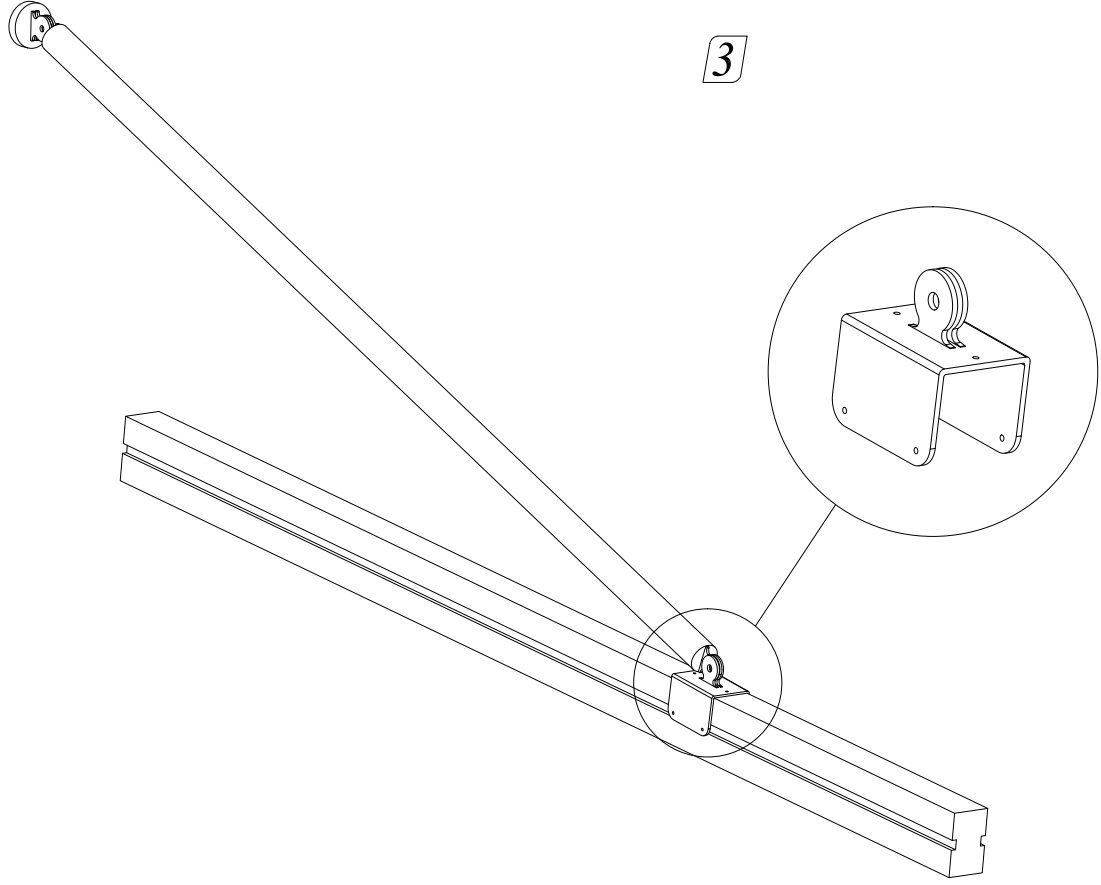


1 RAIL

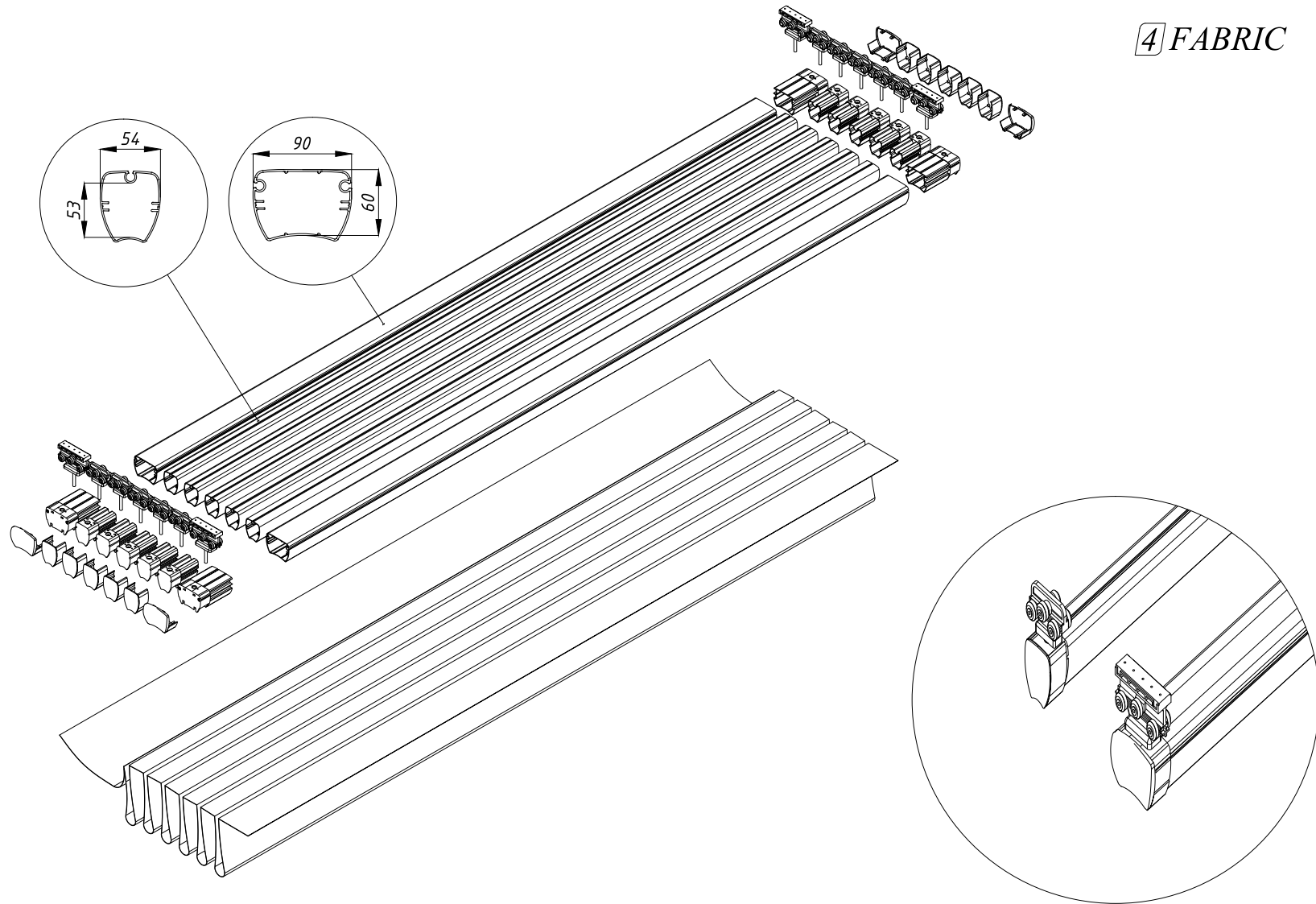


2 GUTTER

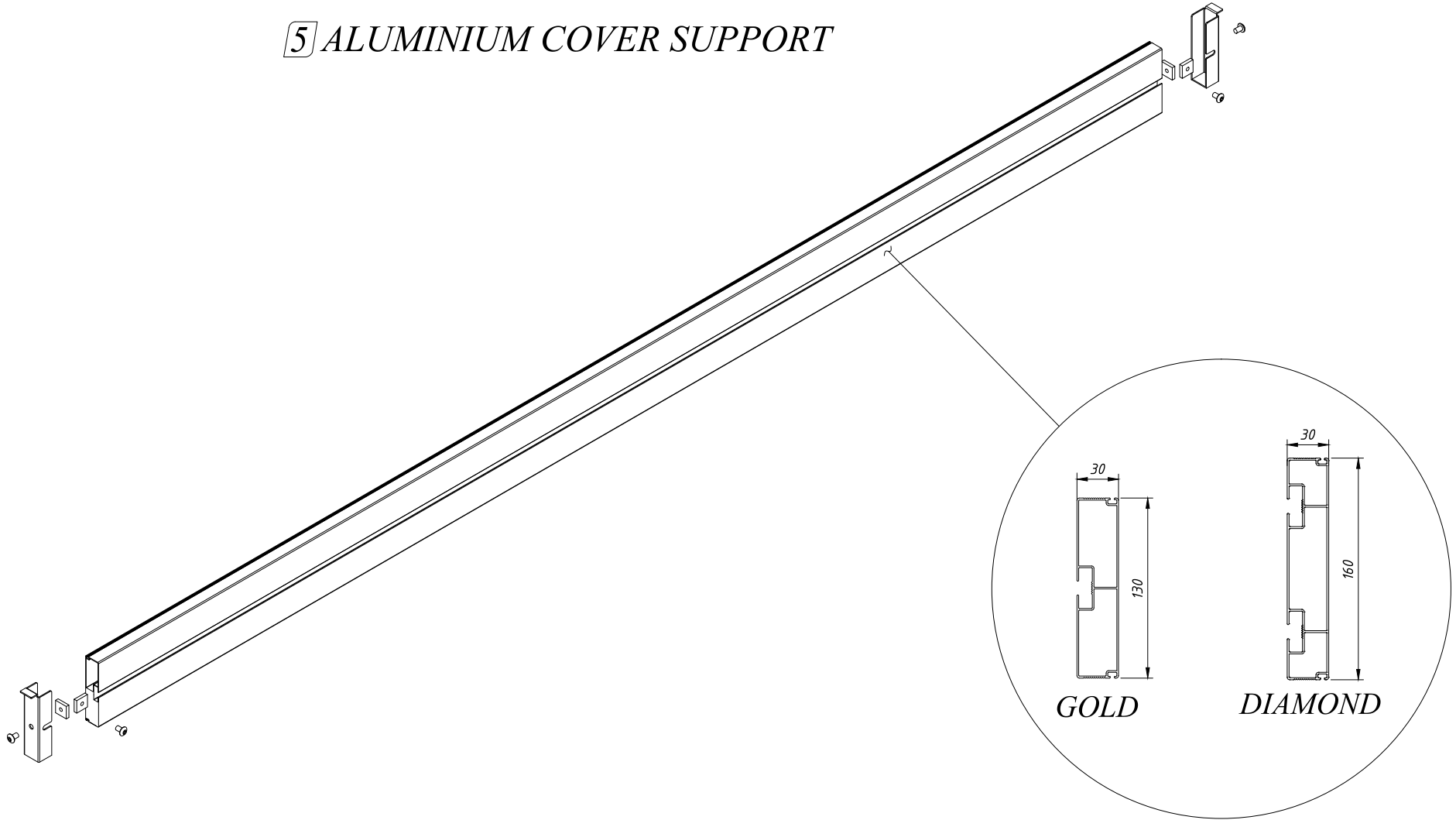




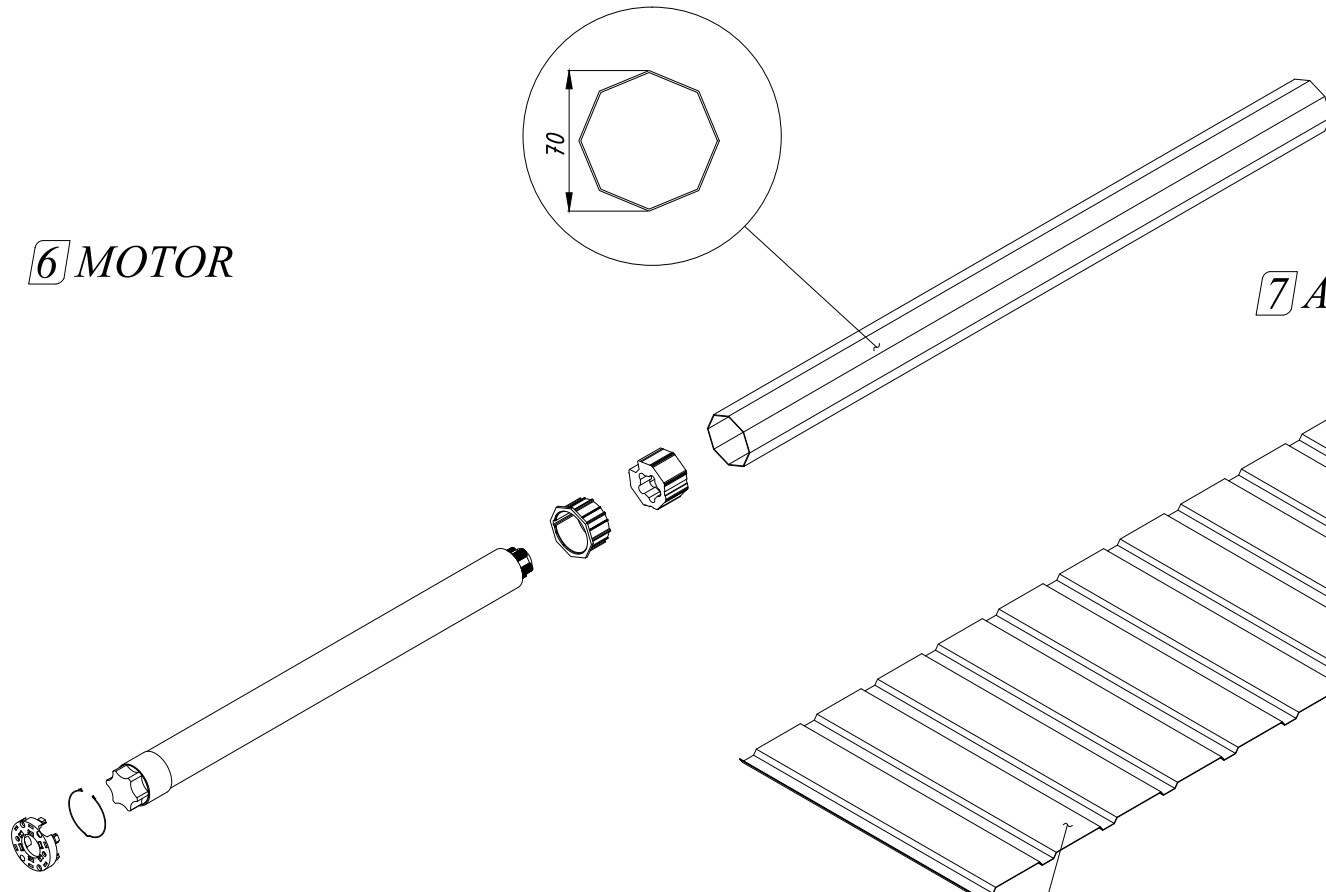
4 FABRIC



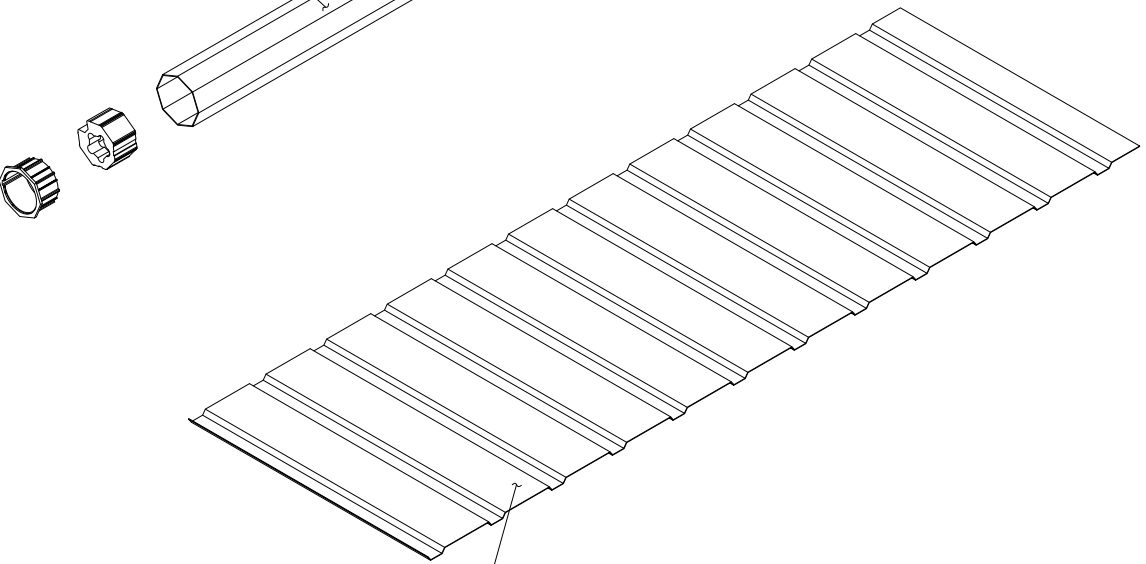
5 ALUMINIUM COVER SUPPORT



6 MOTOR



7 ALUMINIUM COVER



110

110

8 LIGHTING

