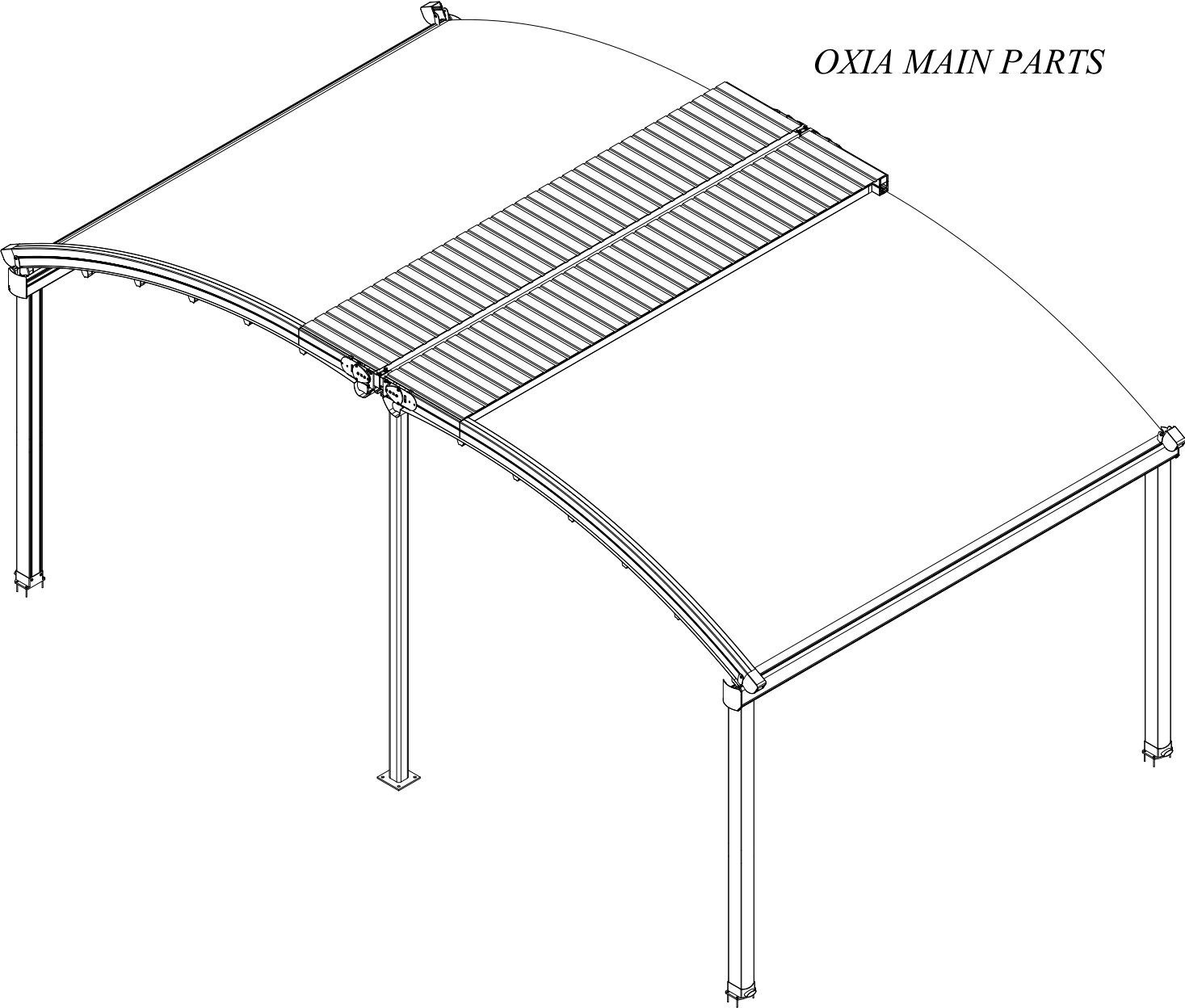
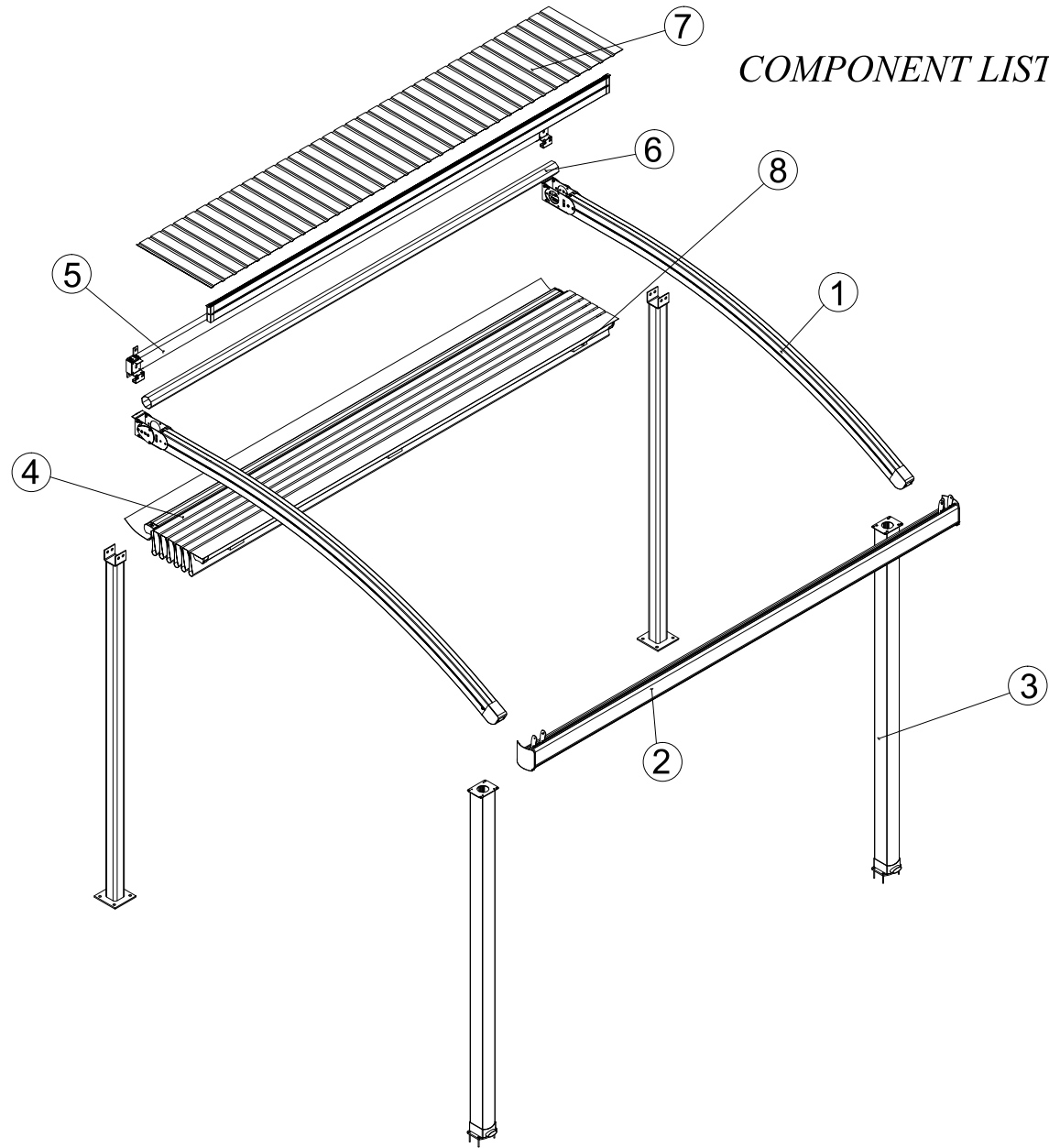


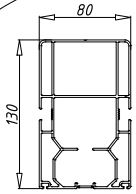
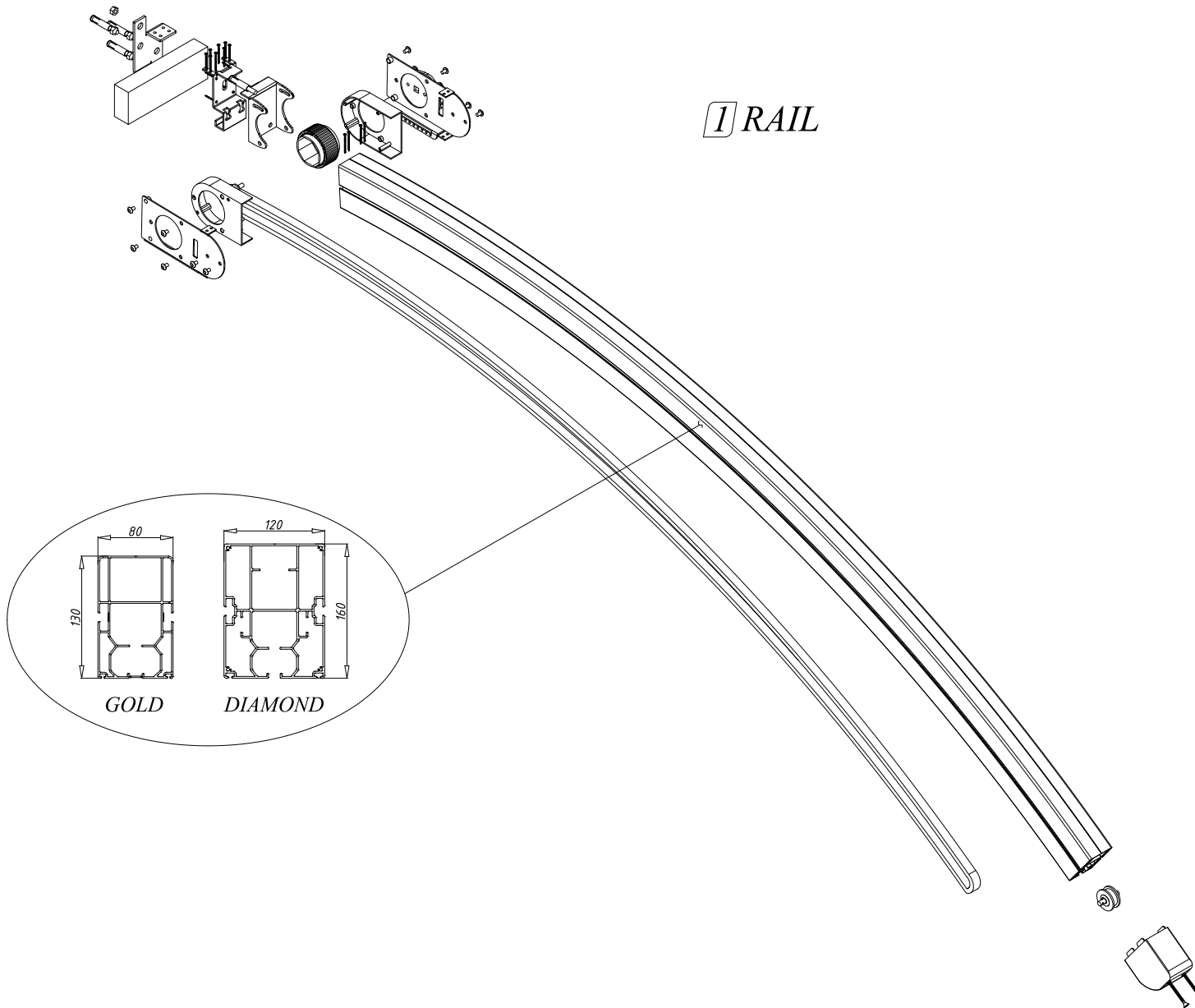
OXIA MAIN PARTS



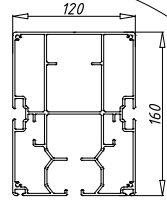
COMPONENT LIST



I RAIL

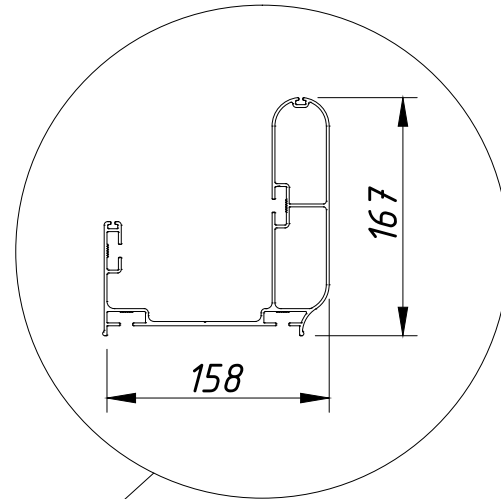
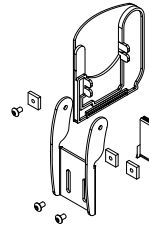


GOLD

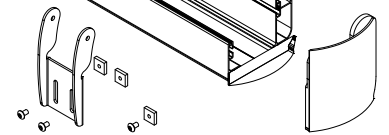


DIAMOND

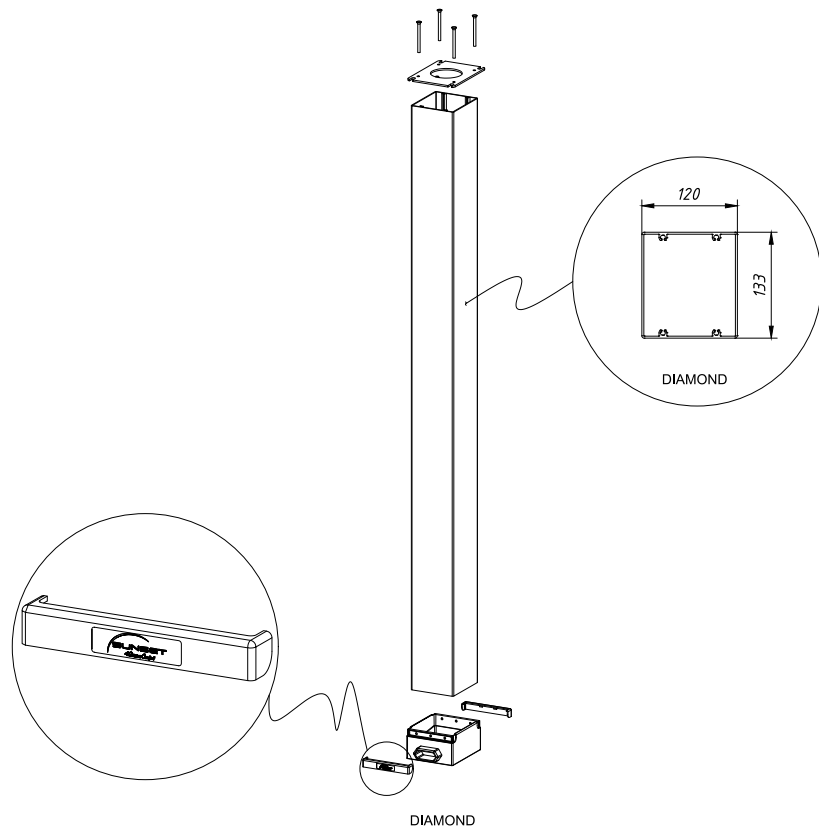
2 GUTTER



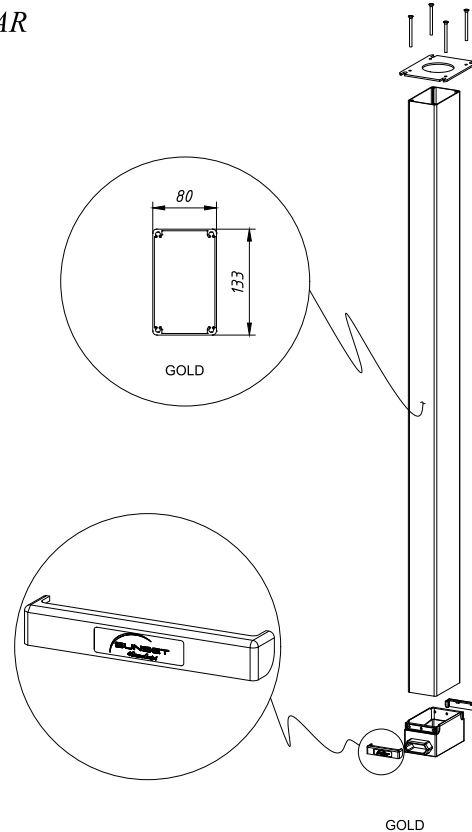
GOLD & DIAMOND



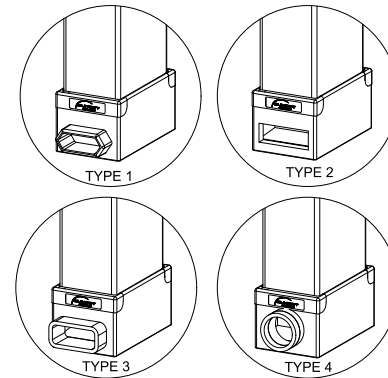
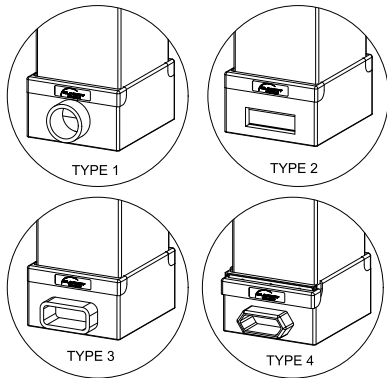
3 PILLAR



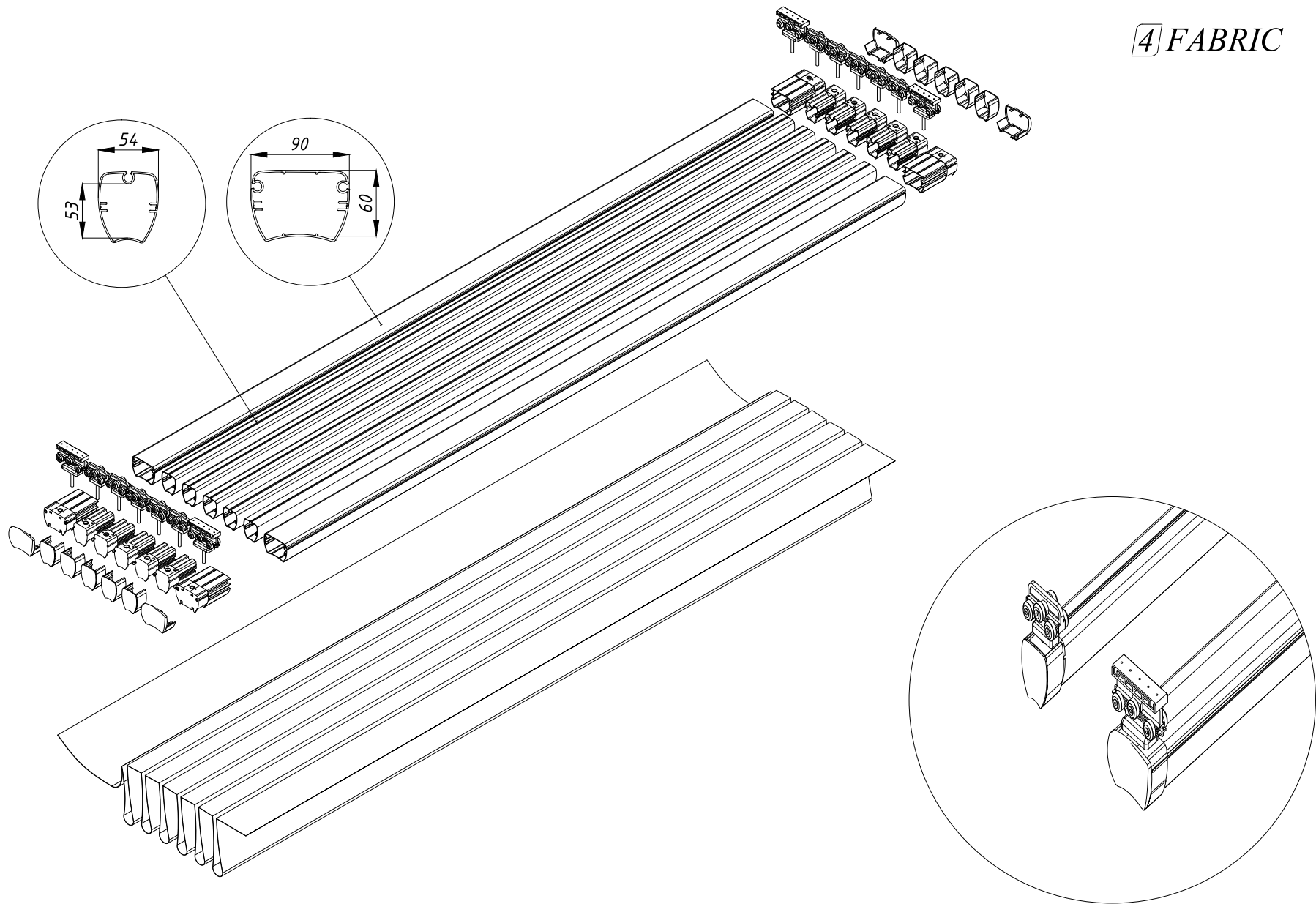
DIAMOND



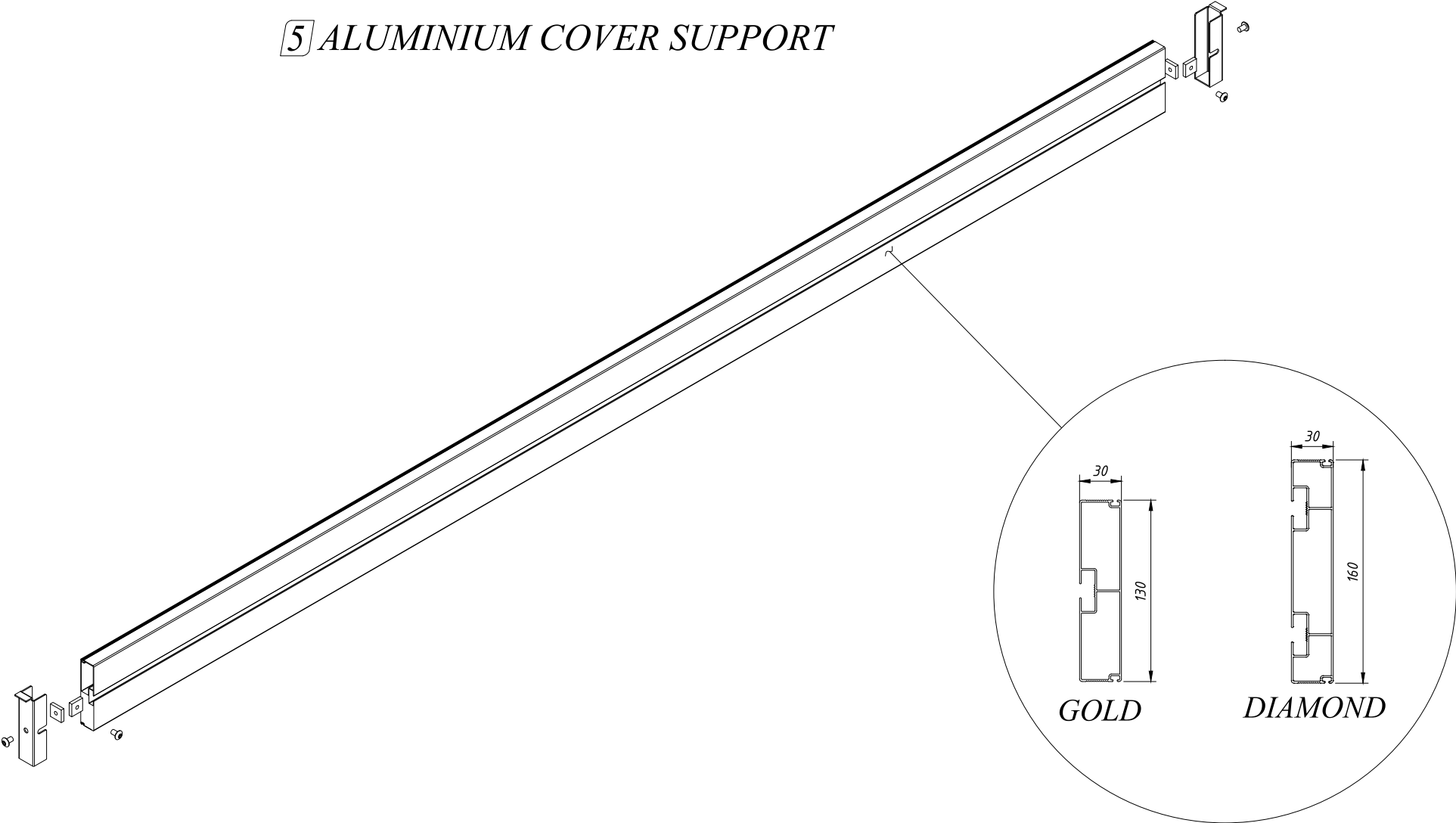
GOLD



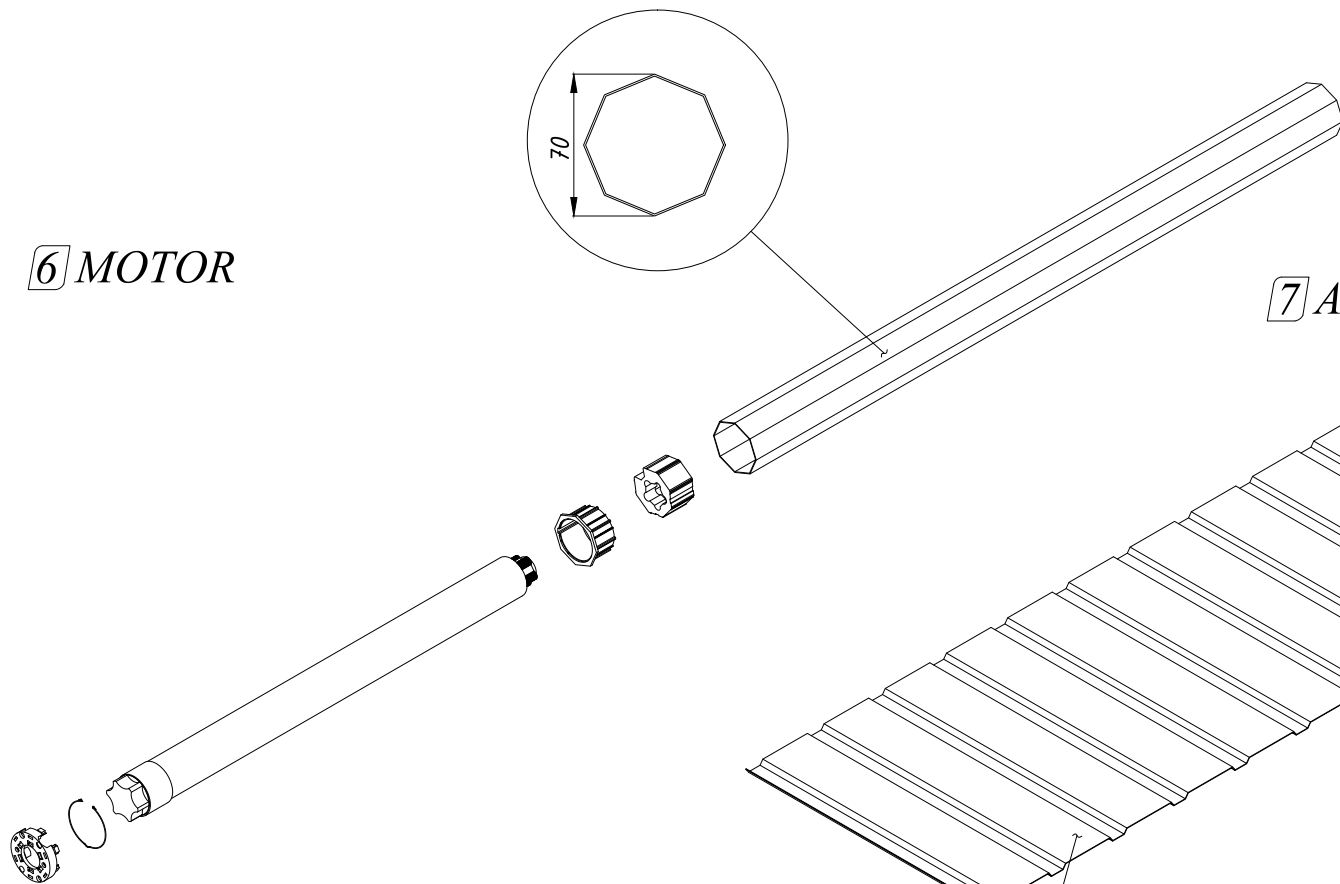
4 FABRIC



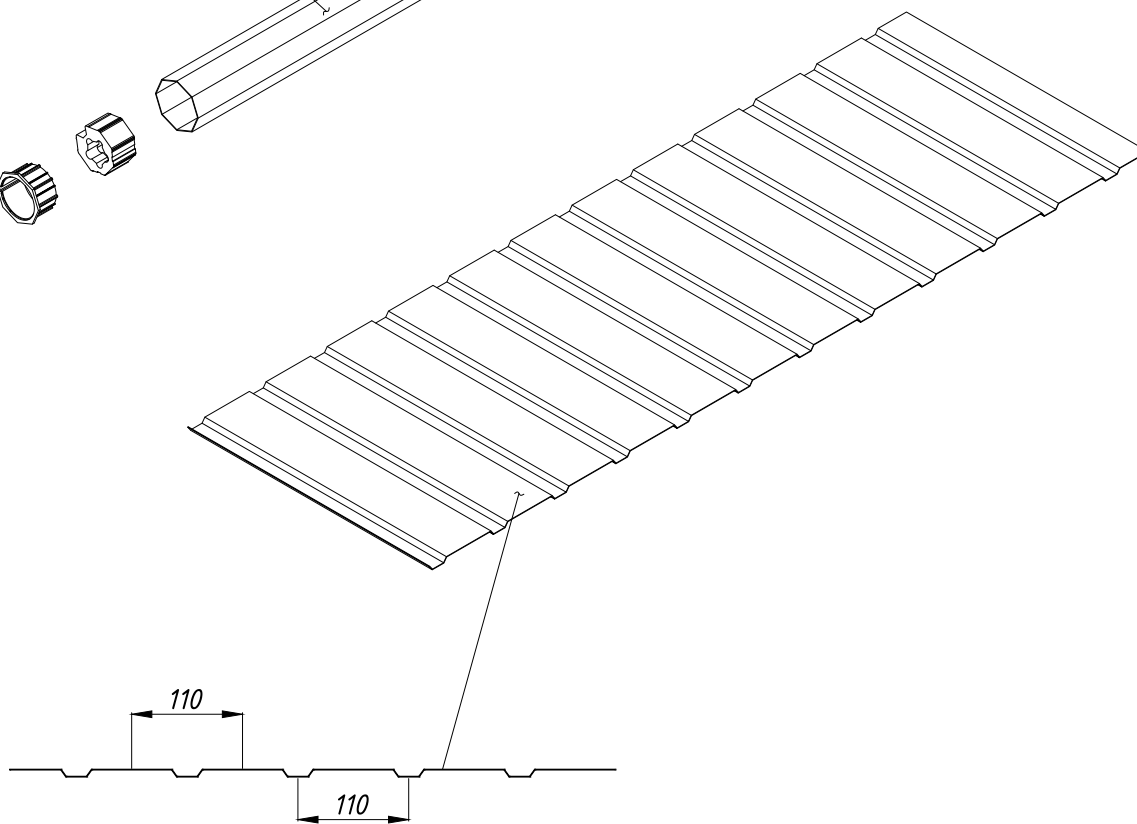
5 ALUMINIUM COVER SUPPORT



6 MOTOR



7 ALUMINIUM COVER



8 LIGHTING

